

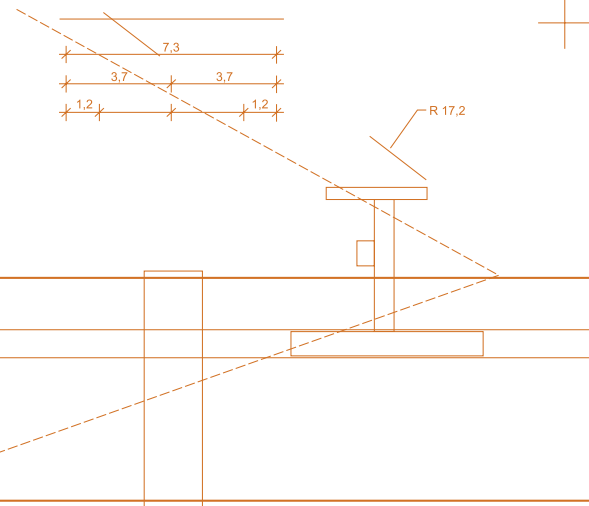
FINANCING

The investment is being co-financed from the "European Energy Programme for Recovery" (EEPR) funds, contributing to the economic recovery of the European Union and increasing the security of energy supplies through the development of cross-border infrastructure.

GAZ-SYSTEM S.A. received an individual Decision of the European Commission K(2010) 5705, issued on 19 August 2010, on the award of financial aid from the European Union for GAZ-SYSTEM S.A. and NET4GAS, s.r.o. for the joint development of the interconnection, which will include the construction of the Třanovice–Cieszyn–Skoczów gas pipeline and the metering station on the Polish–Czech border in Cieszyn.

The Polish part of the project received co-financing in the amount of 10.5 mln EUR, whereas the Czech side was awarded 3.5 mln EUR, which constitutes 50% of the planned expenditures.

The Polish–Czech Interconnection is contributing to the development of the internal gas transmission systems in Central Europe and their connection into an integrated network, e.g., through the North–South Gas Corridor, which will integrate the LNG terminal in Świnoujście (Poland), through southern Poland and countries in the south of Europe with the Adria LNG terminal in Croatia.



NET4GAS, s.r.o.

NET4GAS, s.r.o. is the transmission system operator responsible for ensuring availability and providing sufficient capacity to both domestic as well as foreign partners, guaranteeing non-discriminatory access to the transmission system.

NET4GAS, s.r.o. transmits natural gas in the Czech Republic via a system of gas pipelines of over 3,600 km in length.



GAZ-SYSTEM S.A.

The Gas Transmission Operator GAZ SYSTEM S.A. is a strategic company for the Polish economy and the energy security of Poland. The company's key task is to transport natural gas throughout Poland via the transmission system as well as to develop the gas pipeline network.

The Company manages assets worth approx. 5 bn PLN comprising mainly elements of the transmission system, e.g. more than 9,700 km of high pressure gas pipelines, 14 compressor stations, 56 hubs and 970 exit points. The Company employs over 2,000 people.

GAZ-SYSTEM S.A. is also the owner of Polskie LNG S.A., a company established to construct the liquefied natural gas terminal (LNG) in Świnoujście.

By 2014, GAZ-SYSTEM S.A. will have built over 1,000 km of new gas transmission pipelines. The most important pipelines will be constructed in Northwest and Central Poland.



Co-financed by the European Union

European Energy Programme for Recovery

The "Connection of the Polish–Czech Gas Systems in the Region of Cieszyn" project is co-financed from the European Energy Programme for Recovery.

The author of the publication shall be solely and exclusively responsible for the content thereof. The European Union shall not be liable for any possible use of the information contained in such a publication.

THE POLISH–CZECH INTERCONNECTOR



THE POLISH–CZECH INTERCONNECTOR

The Polish–Czech Interconnection is a common project between the Polish Gas Transmission Operator GAZ-SYSTEM S.A. and the Czech Transmission System Operator NET4GAS, s.r.o.

The connection between the natural gas transmission systems of Poland and the Czech Republic is an example of the transmission infrastructure integration serving European solidarity by increasing the level of energy security of this region of Europe.

With the expansion of the Polish and Czech transmission systems, the Interconnector will eventually enable the transport of 2.5 bcm of gas annually.

*The element of the metering station on the Polish–Czech border in Cieszyn.
(photo: Archive GAZ-SYSTEM S.A.)*



KEY DATES:

2009

- **September 2009** – announcement of the Open Season procedure concerning capacity allocation in the region of the investment, which resulted in signing of gas transmission contracts (three by GAZ-SYSTEM S.A. and one by NET4GAS, s.r.o.);
- **November 2009** – signing of the Cooperation Agreement between GAZ-SYSTEM S.A. and NET4GAS, s.r.o. defining the scope of construction of the interconnector;

2010

- **November 2010** – completion of the construction of the gas pipeline on the Polish side;

2011

- **April 2011** – signing of the Connection Agreement connecting the transmission systems of GAZ-SYSTEM S.A. and NET4GAS, s.r.o.;
- **June 2011** – completion of the metering station in Cieszyn;
- **September 2011** – completion of the construction of the gas pipeline on the Czech side;
- **September 2011** – of an Interconnection Agreement setting out the principles of providing gas transmission services between the systems.

TECHNICAL INFORMATION:

In the first stage, the Polish–Czech Interconnection will enable the import of gas from a new entry point to the Polish transmission system with a capacity of approx. 0.5 bcm annually.

The project connecting the gas transmission systems of Poland and the Czech Republic includes:

Constructed by GAZ-SYSTEM S.A.

- Gas pipeline 22 km in length, running from the Polish–Czech border in the Cieszyn region to Skoczów;

Gas pipeline parameters:
DN 500 mm;
P=6.3 MPa;

- Metering station in the territory of Poland, in the Cieszyn region.

Constructed by NET4GAS, s.r.o.

- Gas pipeline approx. 10 km in length, running from the Czech–Polish border to the location of connection with the transmission system in the territory of the Czech Republic, in the Třanovice region;

Gas pipeline parameters:
DN 500 mm;
P=6.3 MPa.

